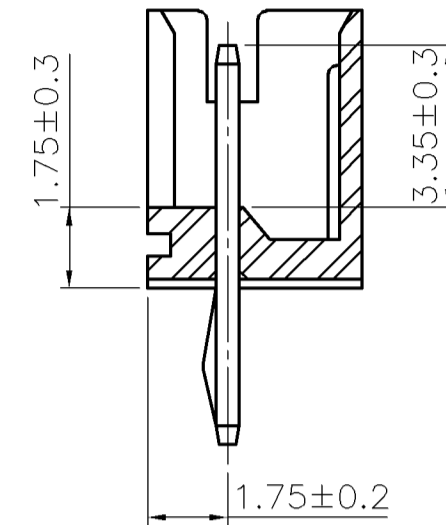
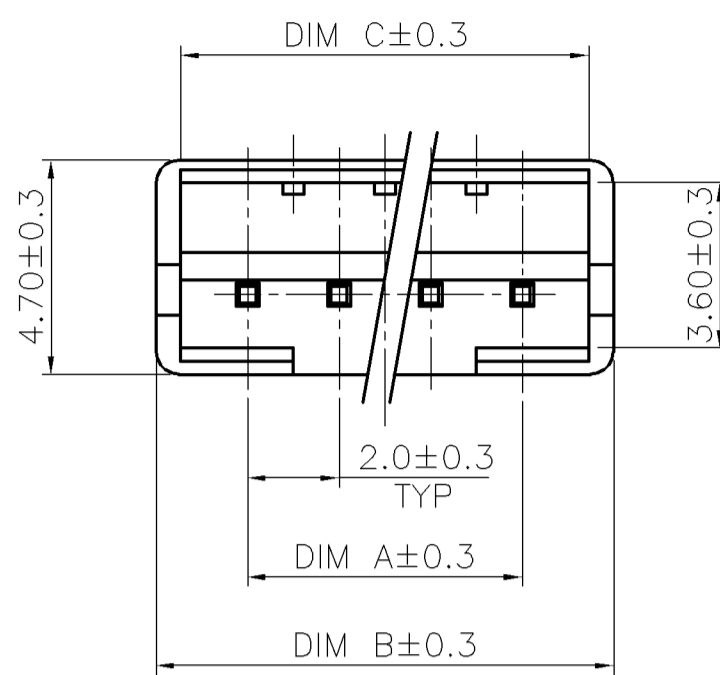
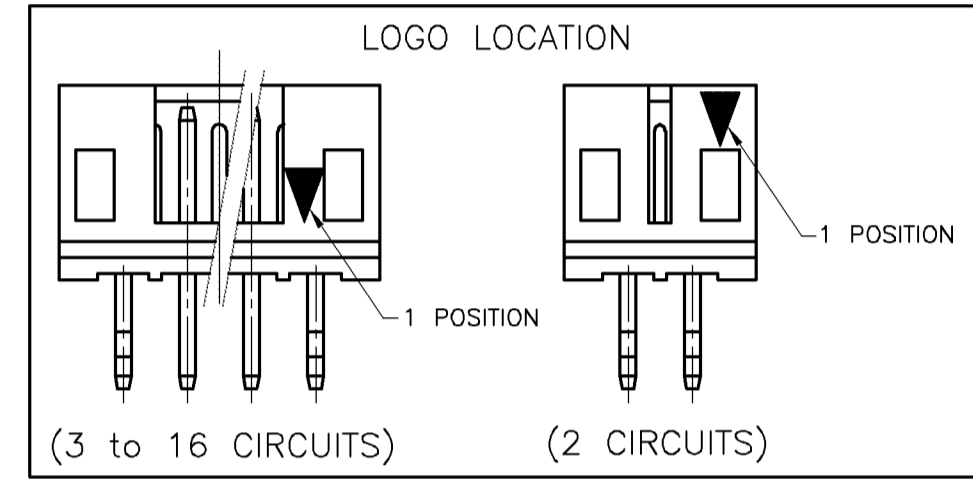


LOC DW  
DIST

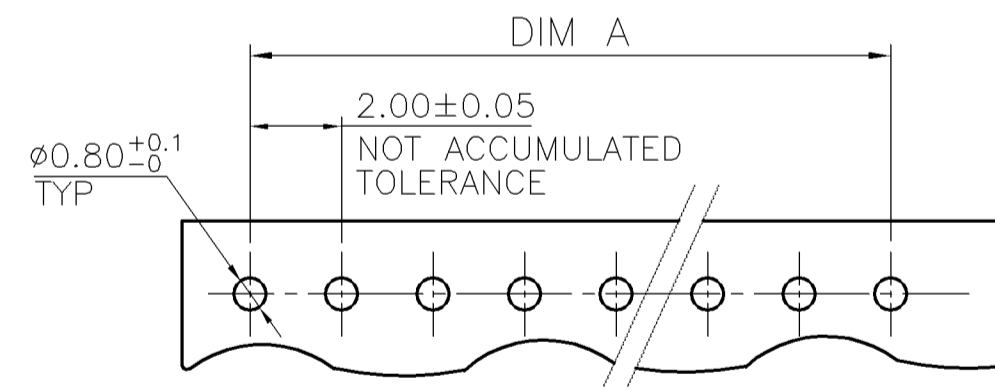
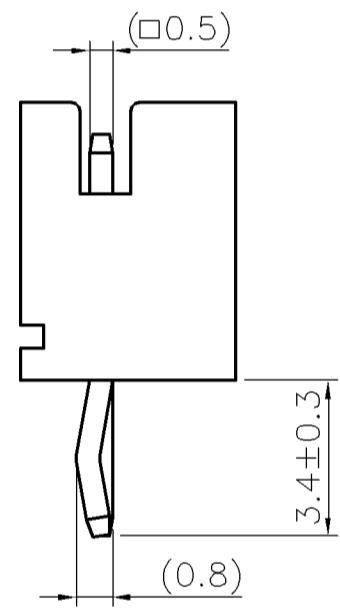
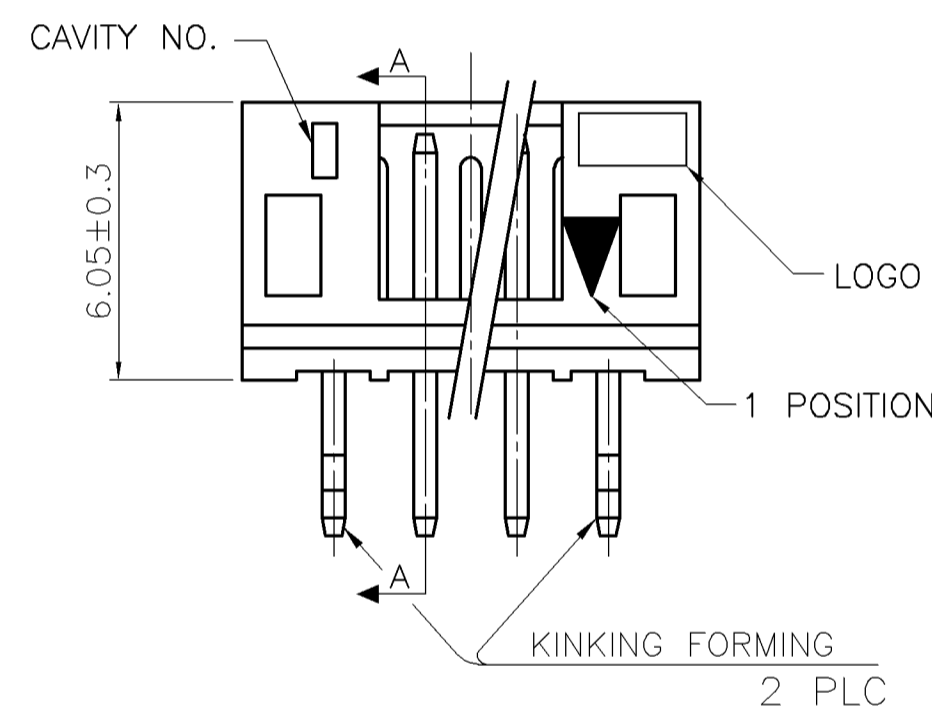
| REVISIONS |     |                         |         |       |
|-----------|-----|-------------------------|---------|-------|
| P         | LTR | DESCRIPTION             | DATE    | APVD  |
| E         |     | REVISED (ECR-10-002187) | 27JAN10 | JL WK |



SEC. A-A



- NOTES:
- MATERIAL:  
HOUSING: NYLON 66, UL94V-0, COLOR: SEE TABLE.  
CONTACT: BRASS, THICKNESS=0.50mm.
  - FINISH:  
2.03um[80u"] MIN. BRIGHT-TIN PLATING ON CONTACT.  
1.27um[50u"] MIN. NICKEL ENTIRE CONTACT UNDERPLATED.
  - WAVE SOLDER CAPABLE TO 265°C PER TEST SPEC.  
109-202, CONDITION B.



RECOMMENDED PCB LAYOUT (PCB THK=1.0~1.6)

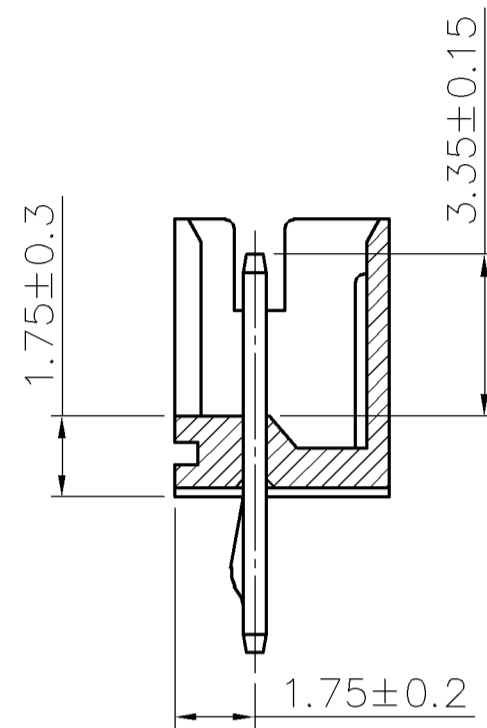
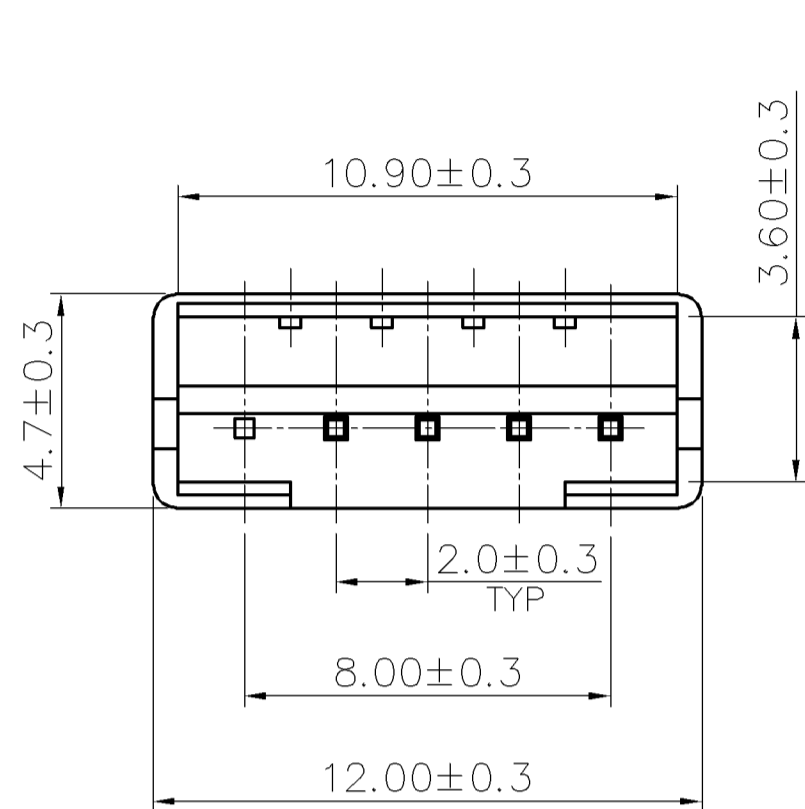
| TUBE          | COLOR | DIM C | DIM B | DIM A      | POS.       | PART NUMBER |
|---------------|-------|-------|-------|------------|------------|-------------|
| RED           | 10.90 | 12.00 | 8.00  | 5P         | 8-440054-9 |             |
|               | 8.90  | 10.00 | 6.00  | 4P         | 8-440054-8 |             |
|               | 6.90  | 8.00  | 4.00  | 3P         | 8-440054-7 |             |
|               | 4.90  | 6.00  | 2.00  | 2P         | 8-440054-6 |             |
| BLACK         | 10.90 | 12.00 | 8.00  | 5P         | 6-440054-9 |             |
|               | 8.90  | 10.00 | 6.00  | 4P         | 6-440054-8 |             |
|               | 6.90  | 8.00  | 4.00  | 3P         | 6-440054-7 |             |
|               | 4.90  | 6.00  | 2.00  | 2P         | 6-440054-6 |             |
| YELLOW        | 10.90 | 12.00 | 8.00  | 5P         | 4-440054-9 |             |
|               | 8.90  | 10.00 | 6.00  | 4P         | 4-440054-8 |             |
|               | 6.90  | 8.00  | 4.00  | 3P         | 4-440054-7 |             |
|               | 4.90  | 6.00  | 2.00  | 2P         | 4-440054-6 |             |
| BLUE          | 10.90 | 12.00 | 8.00  | 5P         | 2-440054-9 |             |
|               | 8.90  | 10.00 | 6.00  | 4P         | 2-440054-8 |             |
|               | 6.90  | 8.00  | 4.00  | 3P         | 2-440054-7 |             |
|               | 4.90  | 6.00  | 2.00  | 2P         | 2-440054-6 |             |
| NATURAL WHITE | 32.90 | 34.00 | 30.00 | 16P        | 5-440054-6 |             |
|               | 30.90 | 32.00 | 28.00 | 15P        | 5-440054-5 |             |
|               | 28.90 | 30.00 | 26.00 | 14P        | 5-440054-4 |             |
|               | 26.90 | 28.00 | 24.00 | 13P        | 5-440054-3 |             |
|               | 24.90 | 26.00 | 22.00 | 12P        | 5-440054-2 |             |
|               | 22.90 | 24.00 | 20.00 | 11P        | 5-440054-1 |             |
|               | 20.90 | 22.00 | 18.00 | 10P        | 5-440054-0 |             |
|               | 18.90 | 20.00 | 16.00 | 9P         | 3-440054-9 |             |
|               | 16.90 | 18.00 | 14.00 | 8P         | 3-440054-8 |             |
|               | 14.90 | 16.00 | 12.00 | 7P         | 3-440054-7 |             |
|               | 12.90 | 14.00 | 10.00 | 6P         | 3-440054-6 |             |
|               | 10.90 | 12.00 | 8.00  | 5P         | 3-440054-5 |             |
| 8.90          | 10.00 | 6.00  | 4P    | 3-440054-4 |            |             |
| 6.90          | 8.00  | 4.00  | 3P    | 3-440054-3 |            |             |
| 4.90          | 6.00  | 2.00  | 2P    | 3-440054-2 |            |             |

| POLY BAG      | COLOR | DIM C | DIM B | DIM A    | POS.       | PART NUMBER |
|---------------|-------|-------|-------|----------|------------|-------------|
| RED           | 10.90 | 12.00 | 8.00  | 5P       | 8-440054-5 |             |
|               | 8.90  | 10.00 | 6.00  | 4P       | 8-440054-4 |             |
|               | 6.90  | 8.00  | 4.00  | 3P       | 8-440054-3 |             |
|               | 4.90  | 6.00  | 2.00  | 2P       | 8-440054-2 |             |
| BLACK         | 10.90 | 12.00 | 8.00  | 5P       | 6-440054-5 |             |
|               | 8.90  | 10.00 | 6.00  | 4P       | 6-440054-4 |             |
|               | 6.90  | 8.00  | 4.00  | 3P       | 6-440054-3 |             |
|               | 4.90  | 6.00  | 2.00  | 2P       | 6-440054-2 |             |
| YELLOW        | 24.90 | 26.00 | 22.00 | 12P      | 7-440054-6 |             |
|               | 22.90 | 24.00 | 20.00 | 11P      | 7-440054-5 |             |
|               | 20.90 | 22.00 | 18.00 | 10P      | 7-440054-4 |             |
|               | 18.90 | 20.00 | 16.00 | 9P       | 7-440054-3 |             |
|               | 16.90 | 18.00 | 14.00 | 8P       | 7-440054-2 |             |
|               | 14.90 | 16.00 | 12.00 | 7P       | 7-440054-1 |             |
|               | 12.90 | 14.00 | 10.00 | 6P       | 7-440054-0 |             |
|               | 10.90 | 12.00 | 8.00  | 5P       | 7-440054-5 |             |
| BLUE          | 10.90 | 12.00 | 8.00  | 5P       | 4-440054-4 |             |
|               | 8.90  | 10.00 | 6.00  | 4P       | 4-440054-3 |             |
|               | 6.90  | 8.00  | 4.00  | 3P       | 4-440054-2 |             |
|               | 4.90  | 6.00  | 2.00  | 2P       | 4-440054-1 |             |
| NATURAL WHITE | 10.90 | 12.00 | 8.00  | 5P       | 2-440054-5 |             |
|               | 8.90  | 10.00 | 6.00  | 4P       | 2-440054-4 |             |
|               | 6.90  | 8.00  | 4.00  | 3P       | 2-440054-3 |             |
|               | 4.90  | 6.00  | 2.00  | 2P       | 2-440054-2 |             |
|               | 32.90 | 34.00 | 30.00 | 16P      | 1-440054-6 |             |
|               | 30.90 | 32.00 | 28.00 | 15P      | 1-440054-5 |             |
|               | 28.90 | 30.00 | 26.00 | 14P      | 1-440054-4 |             |
|               | 26.90 | 28.00 | 24.00 | 13P      | 1-440054-3 |             |
|               | 24.90 | 26.00 | 22.00 | 12P      | 1-440054-2 |             |
|               | 22.90 | 24.00 | 20.00 | 11P      | 1-440054-1 |             |
|               | 20.90 | 22.00 | 18.00 | 10P      | 1-440054-0 |             |
|               | 18.90 | 20.00 | 16.00 | 9P       | 440054-9   |             |
| 16.90         | 18.00 | 14.00 | 8P    | 440054-8 |            |             |
| 14.90         | 16.00 | 12.00 | 7P    | 440054-7 |            |             |
| 12.90         | 14.00 | 10.00 | 6P    | 440054-6 |            |             |
| 10.90         | 12.00 | 8.00  | 5P    | 440054-5 |            |             |
| 8.90          | 10.00 | 6.00  | 4P    | 440054-4 |            |             |
| 6.90          | 8.00  | 4.00  | 3P    | 440054-3 |            |             |
| 4.90          | 6.00  | 2.00  | 2P    | 440054-2 |            |             |

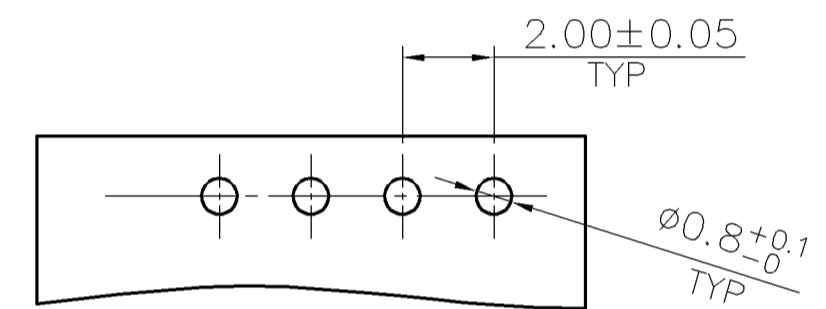
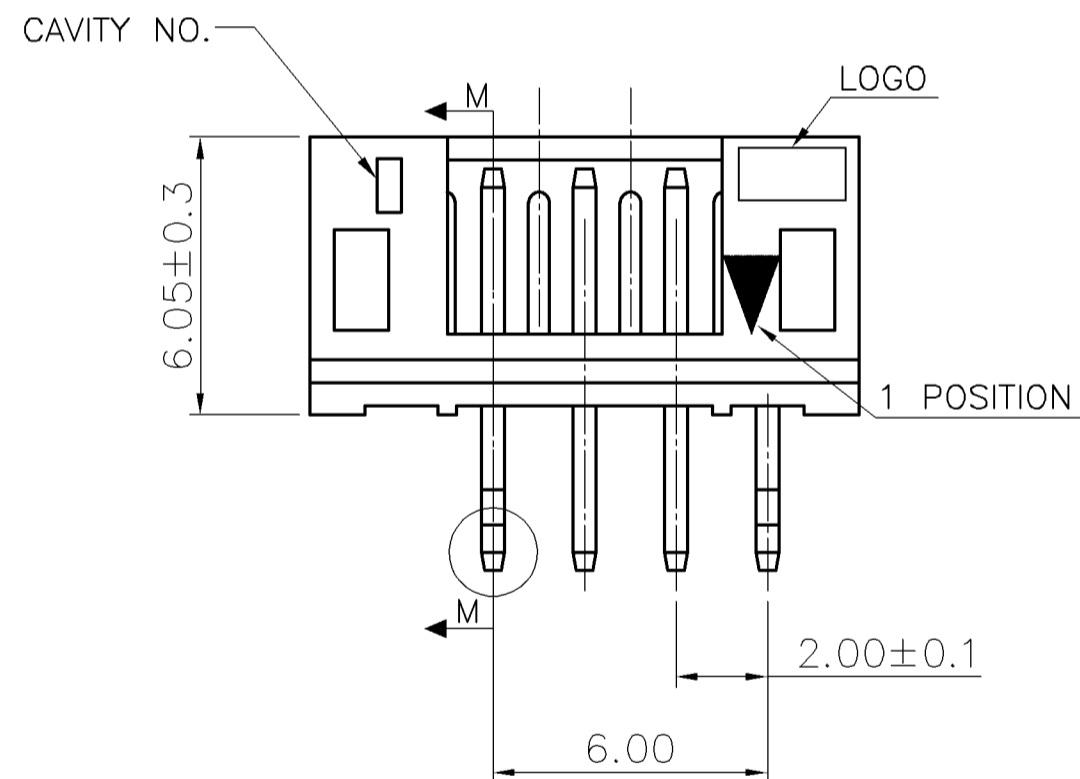
THIS DRAWING IS A CONTROLLED DOCUMENT.

|   |  |                        |  |
|---|--|------------------------|--|
| DIMENSIONS: MM  | TOLERANCES UNLESS OTHERWISE SPECIFIED: | DWN O. HU 16JUL2004    | Tyco Electronics Corporation<br>Taipei, Taiwan |
| 0 PLC ± -<br>1 PLC ± 0.3<br>2 PLC ± 0.2<br>3 PLC ± 0.15<br>4 PLC ± -<br>ANGLES ± 3° | FINISH SEE NOTE                        | CHK S. HOU 16JUL2004   |  |
| MATERIAL SEE NOTE   | SEE NOTE                               | APVD W.J. KE 16JUL2004 | RESTRICTED TO                                  |
|   |  | PRODUCT SPEC 108-57100 | SIZE A3  |
|   |  | APPLICATION SPEC       | CAGE CODE 00779                                |
|   |  | WEIGHT - GRAMS         | DRAWING NO. C-440054                           |
|   |  | CUSTOMER DRAWING       | SCALE - SHEET 1 OF 4 REV E                     |

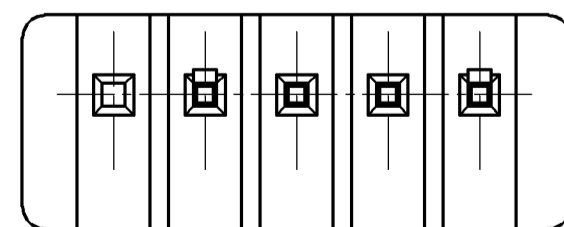
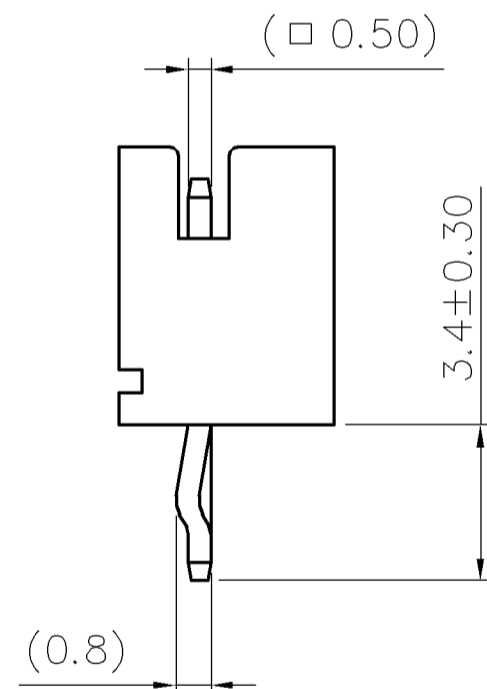
|           |           |              |      |     |      |
|-----------|-----------|--------------|------|-----|------|
| LOC<br>DW | DIST<br>/ | REVISIONS    |      |     |      |
| P         | LTR       | DESCRIPTION  | DATE | DWN | APVD |
|           |           | SEE SHEET 1. |      |     |      |



SECTION M-M



RECOMMENDER PCB LAYOUT  
(PCB THK=1.0~1.6mm)



|          |               |                   |      |             |
|----------|---------------|-------------------|------|-------------|
| POLY BAG | NATURAL WHITE | PIN 5             | 4P   | 9-440054-5  |
| PACKAGE  | COLOR         | PIN NUMBER LACKED | POS. | PART NUMBER |

|  |                    |                  |  |           |            |
|--|--------------------|------------------|--|-----------|------------|
| THIS DRAWING IS A CONTROLLED DOCUMENT. |                    | DWN              | Tyco Electronics Corporation<br>Taipei, Taiwan |           |            |
| DIMENSIONS: MM                         |                    | CHK              | NAME   |           |            |
| TOLERANCES UNLESS OTHERWISE SPECIFIED: |                    | APVD             | 2.0 MM PITCH HPI VERTICAL POST HEADERS         |           |            |
| 0 PLC ± -                              |                    | PRODUCT SPEC     | SIZE   | CAGE CODE | DRAWING NO |
| 1 PLC ± 0.3                            |                    | APPLICATION SPEC | A3   | 00779     | C-440054   |
| 2 PLC ± 0.2                            |                    | WEIGHT           | RESTRICTED TO                                  |           |            |
| 3 PLC ± 0.15                           |                    |                  | CUSTOMER DRAWING                               |           |            |
| 4 PLC ± -                              |                    |                  | SCALE  | SHEET     | REV        |
| ANGLES ± 3°                            |                    |                  | -  | 2 OF 4    | E          |
| MATERIAL                               | FINISH             |                  |  |           |            |
| SEE NOTE (PAGE 1.)                     | SEE NOTE (PAGE 1.) |                  |  |           |            |

4

3

2

1

THIS DRAWING IS UNPUBLISHED.

RELEASED FOR PUBLICATION

AUG ,2006.

© COPYRIGHT 2009 BY TYCO ELECTRONICS CORPORATION. ALL RIGHTS RESERVED.

LOC  
DWDIST  
/

REVISIONS

| P | LTR | DESCRIPTION  | DATE | DWN | APVD |
|---|-----|--------------|------|-----|------|
|   |     | SEE SHEET 1. |      |     |      |

POLY BAG

CARTON

340mm(L)X 470mm(W)X 178mm(H)  
(FOR HEADER 2P~5P ONLY)340mm(L)X 470mm(W)X 365mm(H)  
(FOR HEADER 6P~16P ONLY)

INNER BOX

320mm(L)X 220mm(W)X 155mm(H)

|                     |                  |      |             |
|---------------------|------------------|------|-------------|
| 17,600              | 550              | 4P   | 9-440054-5  |
| 17,600              | 550              | 5P   | 8-440054-5  |
| 20,800              | 650              | 4P   | 8-440054-4  |
| 27,000              | 750              | 3P   | 8-440054-3  |
| 40,000              | 1,000            | 2P   | 8-440054-2  |
| 17,600              | 550              | 5P   | 6-440054-5  |
| 20,800              | 650              | 4P   | 6-440054-4  |
| 27,000              | 750              | 3P   | 6-440054-3  |
| 40,000              | 1,000            | 2P   | 6-440054-2  |
| 16,000              | 250              | 12P  | 7-440054-6  |
| 18,000              | 250              | 11P  | 7-440054-5  |
| 19,200              | 300              | 10P  | 7-440054-4  |
| 22,400              | 350              | 9P   | 7-440054-3  |
| 22,400              | 350              | 8P   | 7-440054-2  |
| 25,600              | 400              | 7P   | 7-440054-1  |
| 28,800              | 450              | 6P   | 7-440054-0  |
| 17,600              | 550              | 5P   | 4-440054-5  |
| 20,800              | 650              | 4P   | 4-440054-4  |
| 27,000              | 750              | 3P   | 4-440054-3  |
| 40,000              | 1,000            | 2P   | 4-440054-2  |
| 17,600              | 550              | 5P   | 2-440054-5  |
| 20,800              | 650              | 4P   | 2-440054-4  |
| 27,000              | 750              | 3P   | 2-440054-3  |
| 40,000              | 1,000            | 2P   | 2-440054-2  |
| 12,000              | 200              | 16P  | 1-440054-6  |
| 12,000              | 200              | 15P  | 1-440054-5  |
| 12,800              | 200              | 14P  | 1-440054-4  |
| 15,000              | 250              | 13P  | 1-440054-3  |
| 16,000              | 250              | 12P  | 1-440054-2  |
| 18,000              | 250              | 11P  | 1-440054-1  |
| 19,200              | 300              | 10P  | 1-440054-0  |
| 22,400              | 350              | 9P   | 440054-9    |
| 22,400              | 350              | 8P   | 440054-8    |
| 25,600              | 400              | 7P   | 440054-7    |
| 28,800              | 450              | 6P   | 440054-6    |
| 17,600              | 550              | 5P   | 440054-5    |
| 20,800              | 650              | 4P   | 440054-4    |
| 27,000              | 750              | 3P   | 440054-3    |
| 40,000              | 1,000            | 2P   | 440054-2    |
| APQ<br>(PCS/CARTON) | PPQ<br>(PCS/BAG) | POS. | PART NUMBER |

|  |  |                  |  |           |
|--|--|------------------|--|-----------|
| THIS DRAWING IS A CONTROLLED DOCUMENT. |  | DWN              | Tyco Electronics Corporation           |           |
| DIMENSIONS:<br>MM                      |  | CHK              | Taipei, Taiwan                         |           |
| TOLERANCES UNLESS OTHERWISE SPECIFIED: |  | APVD             | NAME                                   |           |
| 0 PLC ± -                              |  | PRODUCT SPEC     | 2.0 MM PITCH HPI VERTICAL POST HEADERS |           |
| 1 PLC ± -                              |  | APPLICATION SPEC | SIZE                                   | CAGE CODE |
| 2 PLC ± -                              |  | WEIGHT           | A3                                     | 00779     |
| 3 PLC ± -                              |  | CUSTOMER DRAWING | DRAWING NO                             |           |
| 4 PLC ± -                              |  | SCALE            | G=440054                               |           |
| ANGLES ± -                             |  | SHEET            | 3 OF 4                                 |           |
| FINISH                                 |  | REV              | E                                      |           |
| RESTRICTED TO                          |  |                  |  |           |

AMP 1470-19 REV 31MAR2000

4

3

2

1

THIS DRAWING IS UNPUBLISHED.

RELEASED FOR PUBLICATION

AUG ,2006.

© COPYRIGHT 2009

BY TYCO ELECTRONICS CORPORATION.

ALL RIGHTS RESERVED.

LOC  
DWDIST  
/

REVISIONS

| P | LTR | DESCRIPTION  | DATE | DWN | APVD |
|---|-----|--------------|------|-----|------|
|   |     | SEE SHEET 1. |      |     |      |

450  
6.20  
4.30  
7.50  
11.50

TUBE

CARTON  
470 mm(L)X 340mm(W)X 178mm(H)

|                     |                   |      |             |
|---------------------|-------------------|------|-------------|
| 20,280              | 30                | 5P   | 8-440054-9  |
| 27,040              | 40                | 4P   | 8-440054-8  |
| 33,800              | 50                | 3P   | 8-440054-7  |
| 43,940              | 65                | 2P   | 8-440054-6  |
| 20,280              | 30                | 5P   | 6-440054-9  |
| 27,040              | 40                | 4P   | 6-440054-8  |
| 33,800              | 50                | 3P   | 6-440054-7  |
| 43,940              | 65                | 2P   | 6-440054-6  |
| 20,280              | 30                | 5P   | 4-440054-9  |
| 27,040              | 40                | 4P   | 4-440054-8  |
| 33,800              | 50                | 3P   | 4-440054-7  |
| 43,940              | 65                | 2P   | 4-440054-6  |
| 6,760               | 10                | 16P  | 5-440054-6  |
| 8,112               | 12                | 15P  | 5-440054-5  |
| 8,112               | 12                | 14P  | 5-440054-4  |
| 8,788               | 13                | 13P  | 5-440054-3  |
| 10,140              | 15                | 12P  | 5-440054-2  |
| 10,816              | 16                | 11P  | 5-440054-1  |
| 12,168              | 18                | 10P  | 5-440054-0  |
| 13,520              | 20                | 9P   | 3-440054-9  |
| 14,872              | 22                | 8P   | 3-440054-8  |
| 16,900              | 25                | 7P   | 3-440054-7  |
| 18,928              | 28                | 6P   | 3-440054-6  |
| 20,280              | 30                | 5P   | 3-440054-5  |
| 27,040              | 40                | 4P   | 3-440054-4  |
| 33,800              | 50                | 3P   | 3-440054-3  |
| 43,940              | 65                | 2P   | 3-440054-2  |
| APQ<br>(PCS/CARTON) | PPQ<br>(PCS/TUBE) | POS. | PART NUMBER |

THIS DRAWING IS A CONTROLLED DOCUMENT.

DIMENSIONS:  
MM

TOLERANCES UNLESS  
OTHERWISE SPECIFIED:

|        |     |
|--------|-----|
| 0 PLC  | ± - |
| 1 PLC  | ± - |
| 2 PLC  | ± - |
| 3 PLC  | ± - |
| 4 PLC  | ± - |
| ANGLES | ± - |
| FINISH | -   |

MATERIAL

FINISH

DWN

CHK

APVD

PRODUCT SPEC

APPLICATION SPEC

WEIGHT

CUSTOMER DRAWING

Tyco Electronics Corporation  
Taipei, Taiwan

NAME

2.0 MM PITCH HPI VERTICAL POST HEADERS

SIZE

CAGE CODE

DRAWING NO

RESTRICTED TO

A3

00779

C=440054

SCALE

SHEET

4 OF 4

REV

E

AMP 1470-19 REV 31MAR2000